

BIKE RACKS

Designer: SPARK - Michell Herbut



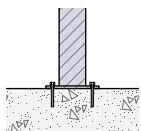
FRAME MATERIAL

- Hot dip galvanised mild steel
- 316 Stainless steel

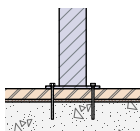
FRAME FINISH OPTIONS

- Galvanised
- #4 Brushed

INSTALLATION OPTIONS



Bolt Down



Bolt Through

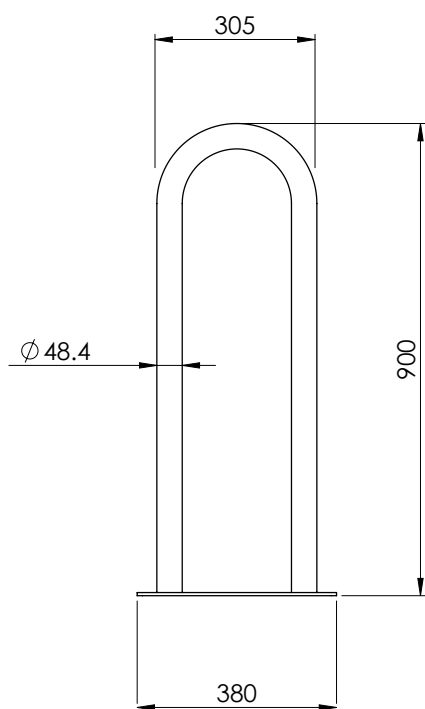
FIXINGS

- 12mm fixings for 14mm
- Diameter holes

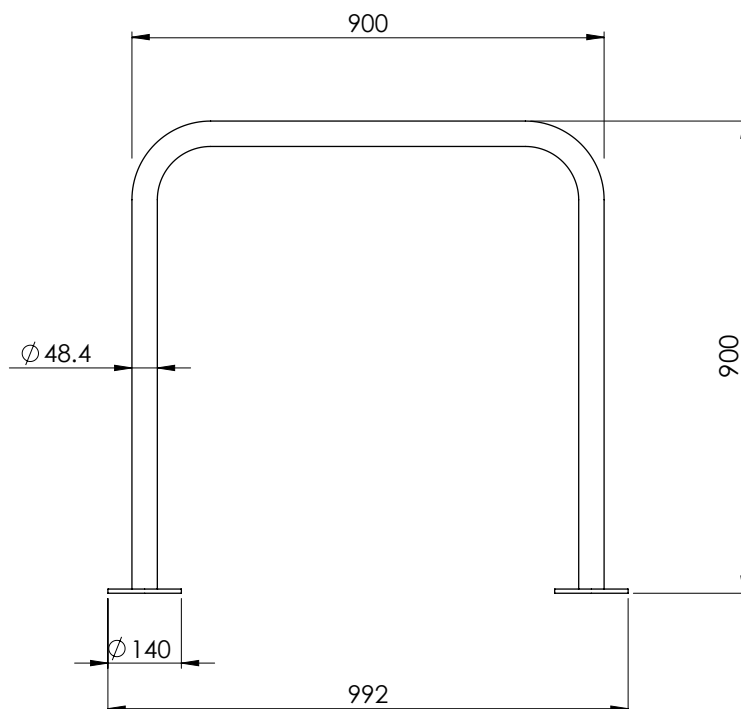
Alternative materials and finishes available on request

CAMPUS BIKE RACKS

SPECIFICATIONS



SMALL



LARGE

Measurements are in millimetres. Drawings are not to scale.

PRODUCT CODE	FRAME OPTIONS	FINISH OPTIONS
CAM008-HDG-GV-SMALL	Hot dip galvanised	Galvanised
CAM008-HDG-GV-LARGE	Hot dip galvanised	Galvanised
CAM008-S16-N4-SMALL	316 stainless steel	#4 brushed
CAM008-S16-N4-LARGE	316 stainless steel	#4 brushed